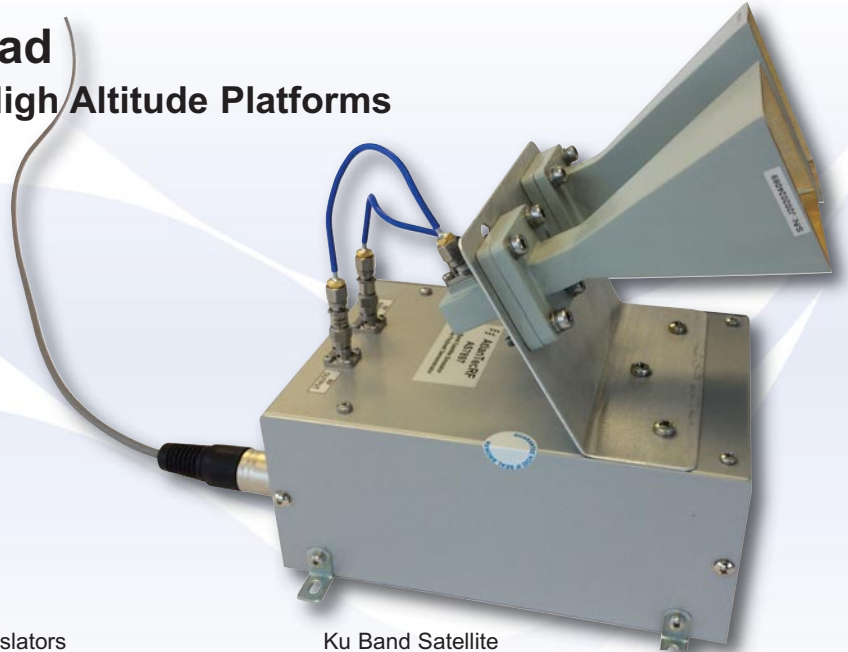


Satellite Simulator Payload

Suitable for Drones/UAVs and High Altitude Platforms

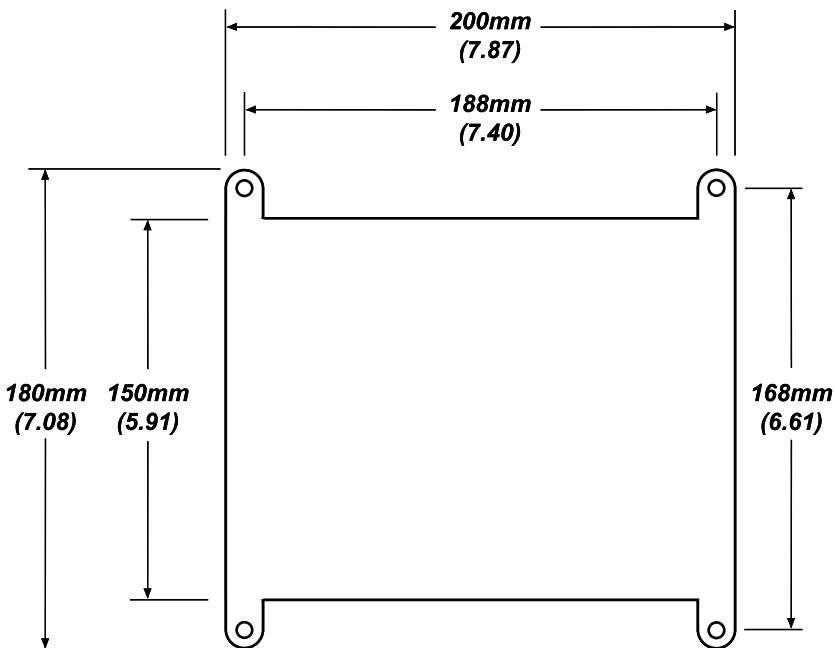
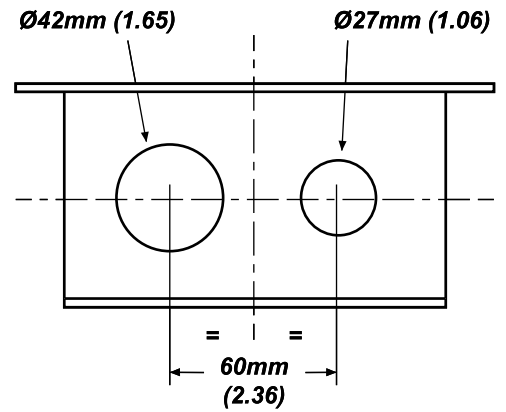
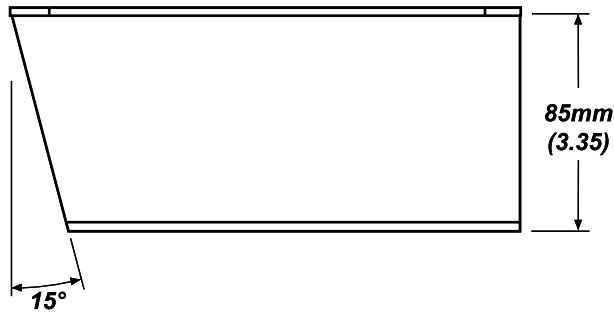
- X, Ku and Ka Band Options
- Weatherproof
- Light Weight
- Rugged
- Battery or Drone Powered
- Cable-less RF Test Solutions



Ku Band Satellite Simulator Drone Payload

Please refer to individual data sheets for Loop Test Translators

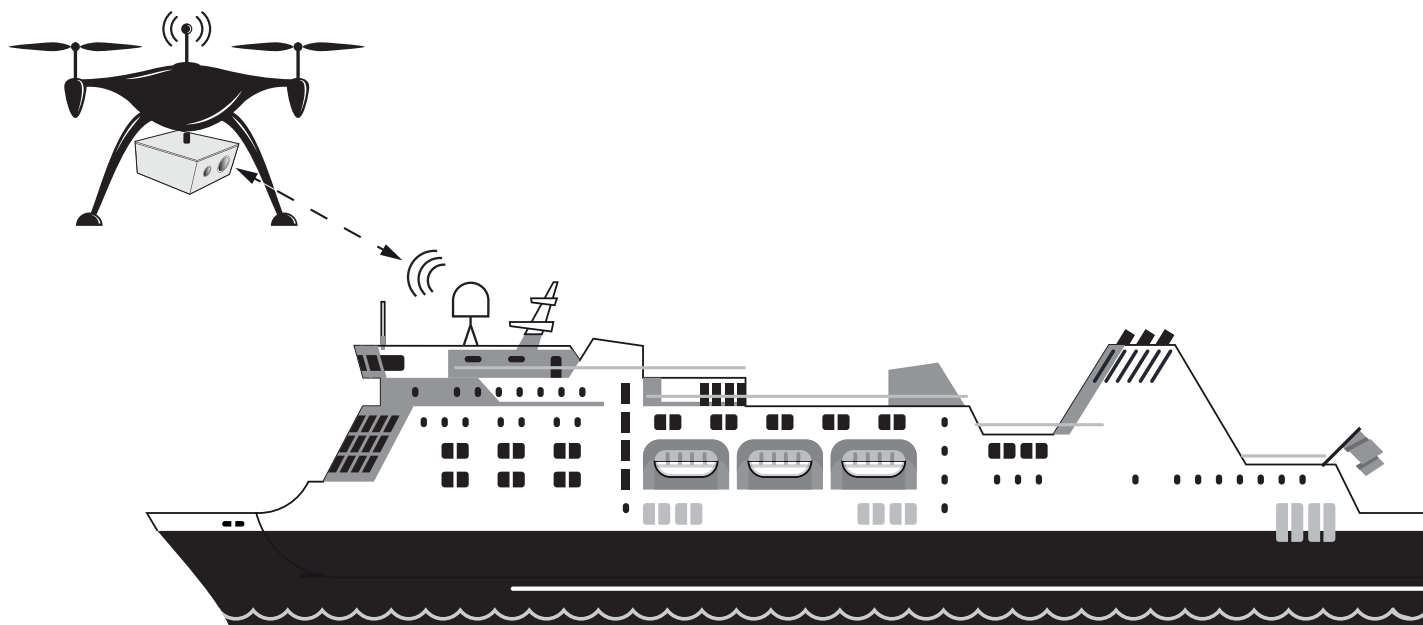
- LSS Series of Satellite Simulators



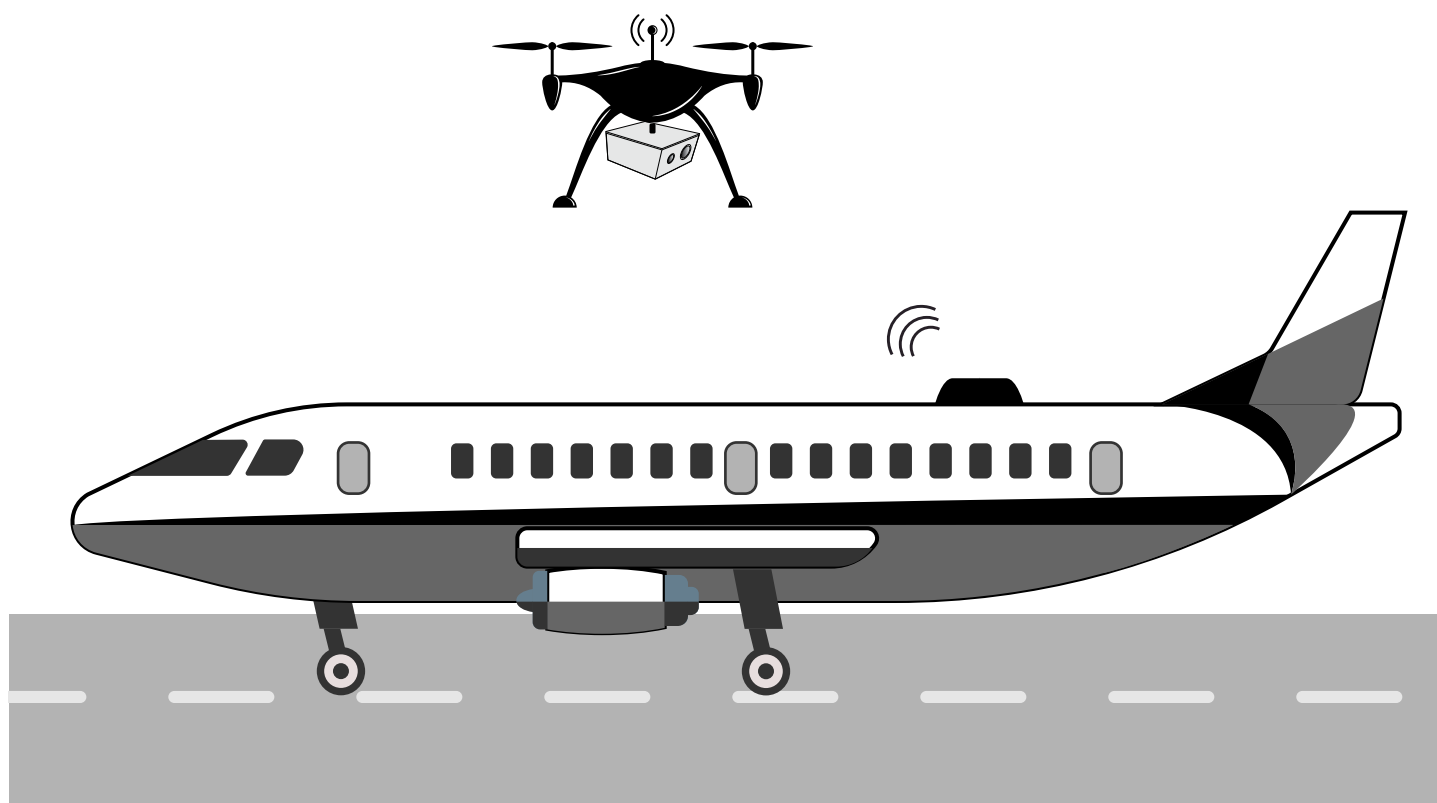
Dimensions for the Ka Band Satellite Simulator
All dimensions are in mm (inches)

We reserve the right to change standard product specifications without notice but will be pleased to consider control drawings for quotation.

Drone Satellite Simulator (DSS Series)



In this example – the DSS is manoeuvred so it aligns with the ship's antenna prior to testing. By then manoeuvring the drone the operator can easily test the terminal's satellite tracking.



We reserve the right to change standard product specifications without notice but will be pleased to consider control drawings for quotation.