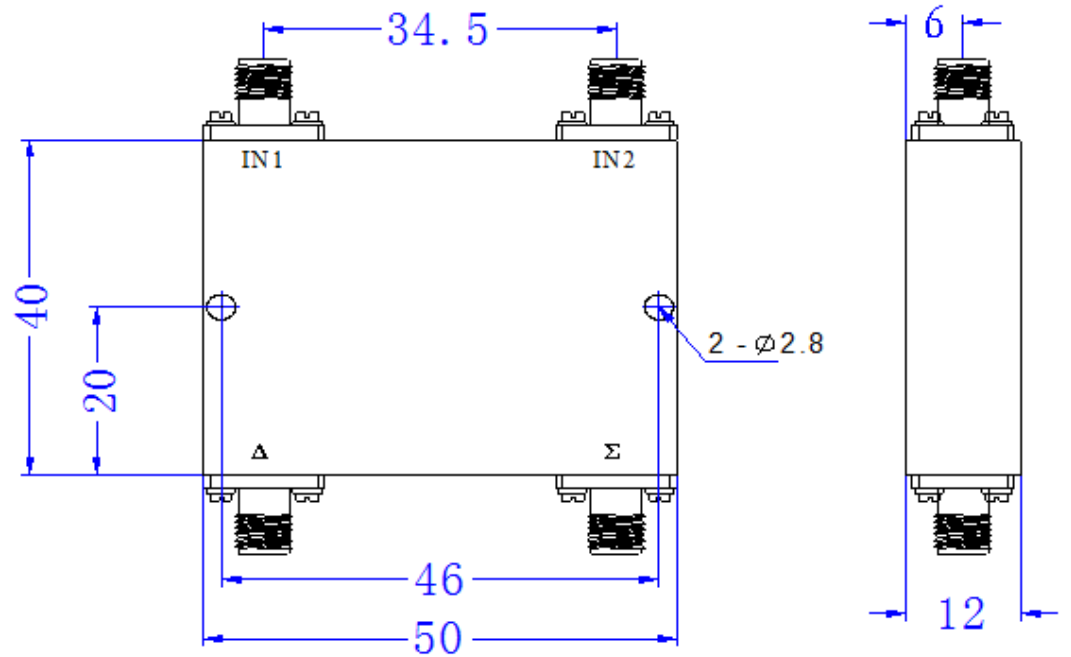


SPECIFICATION	
Frequency Range:	0.40 to 0.45GHz
Insertion Loss:	0.30dB max.
Amplitude Balance:	±0.3dB
Phase Balance:	±8° max.
VSWR:	1.25 max.
Isolation:	22dB
Power:	50 Watt



Dimensions are in mm

This document is the property of **Atlantic Microwave Limited** and is disclosed to the holder for confidential use only. The holder promises and agrees that it shall not be reproduced or copied in any manner, be lent to or have the contents made known to others.

General Description

180° Hybrid Coupler SMA Connectors



40A Springwood Drive,
Braintree,
Essex, CM7 2YN,
England
www.AtlantecRF.com
Tel: +44 (0)1376 550220
Fax: +44 (0)1376 552145

AtlantecRF is a brand name of Atlantic Microwave Ltd.

Drawing Number:

ENG13-100

Rev:

Dw	Check	Date	Scale	Projection
	12/03/14		NTS	
Rev.	Description	Date	Approval	