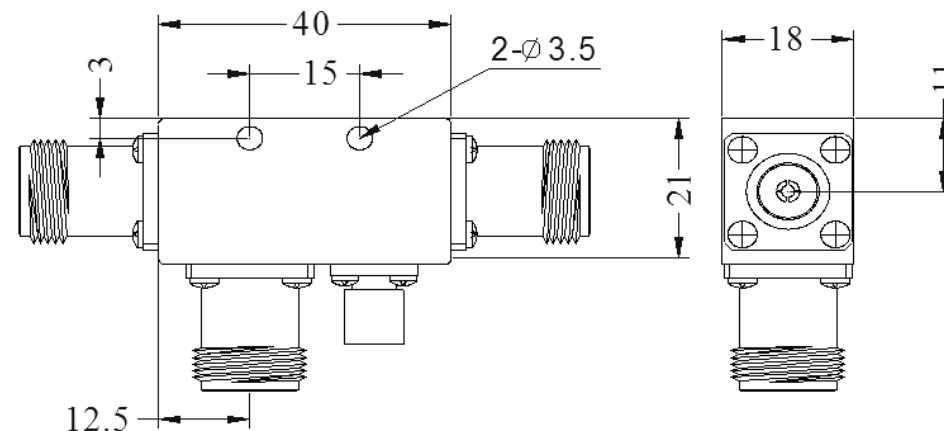


ELECTRICAL SPECIFICATIONS			
	Min	Typical	Max
Frequency Range	3.4GHz	-	4.2GHz
Nominal Coupling	-	10dB	-
Coupling Accuracy	-	-	±1.0dB
Coupling Sensitivity to Frequency			±0.7dB
Insertion Loss (excl. coupling)	-	-	0.2dB
Directivity	20dB	-	-
VSWR	-	-	1.25
Average Power			50W
Amplitude Unbalance			1dB
Operating Temperature	-55°C	-	+110°C
Connectors	N - Female		



All dimensions are in mm

This document is the property of **Atlantic Microwave Limited** and is disclosed to the holder for confidential use only. The holder promises and agrees that it shall not be reproduced or copied in any manner, be lent to or have the contents made known to others.

General Description



40A Springwood Drive,
Braintree,
Essex, CM7 2YN,
England
www.AtlantecRF.com
Tel: +44 (0)1376 550220
Fax: +44 (0)1376 552145

AtlanticTecRF is a brand name of Atlantic Microwave Ltd.

N Type Directional Coupler
Frequency Range: 3.4 – 4.2GHz

Drawing Number:
ENG13-388

Rev:

Dw	Check	Date	Scale	Projection
	28/07/14		NTS	
Rev.	Description	Date	Approval	