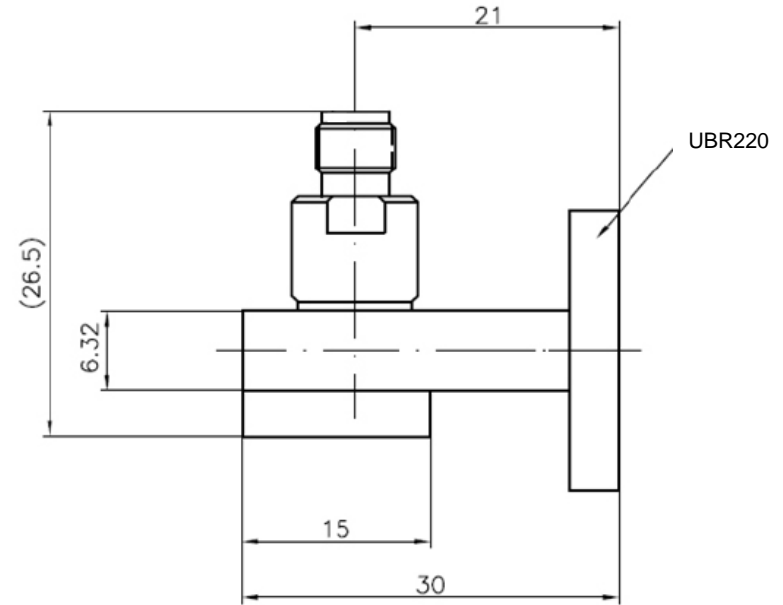
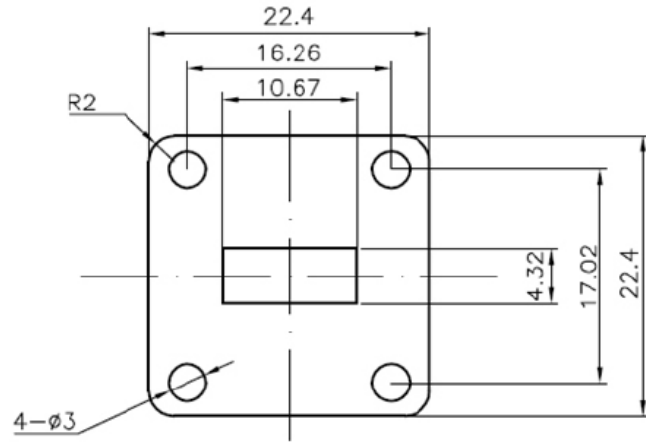


Specifications	
Frequency Range	18.0 – 26.5GHz
VSWR	1.30 max
Waveguide	WR42
Flange	UBR220 (Cover Flange)
Connector	SMA Female
Material	Cu
Surface Finish	Black Paint



Dimensions are in mm

UBR220

This document is the property of **Atlantic Microwave Limited** and is disclosed to the holder for confidential use only. The holder promises and agrees that it shall not be reproduced or copied in any manner, be lent to or have the contents made known to others.

General Description



40A Springwood Drive,
Braintree,
Essex, CM7 2YN,
England
www.AtlantecRF.com
Tel: +44 (0)1376 550220
Fax: +44 (0)1376 552145

AtlanticTecRF is a brand name of Atlantic Microwave Ltd.

WR42 Waveguide to SMA Female Adapter

Drawing Number:

ENG14-002

Rev:

Dw	Check	Date	Scale	Projection
	30/07/14		NTS	
Rev.	Description	Date	Approval	