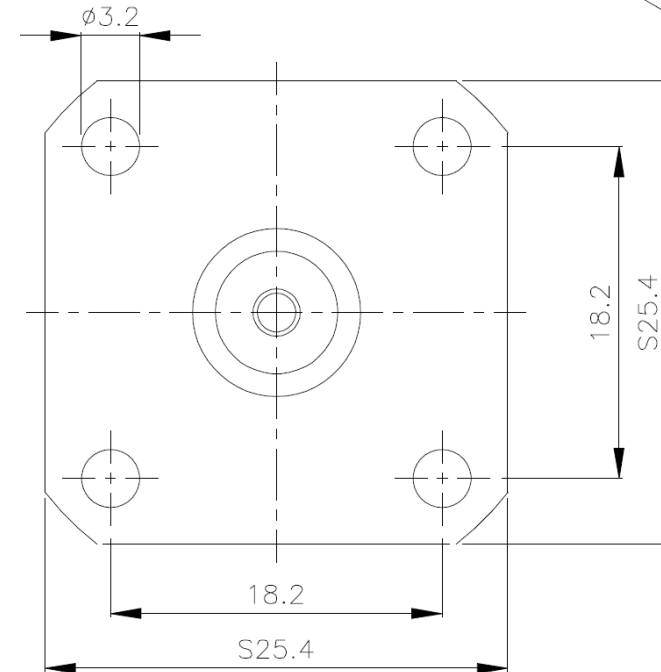
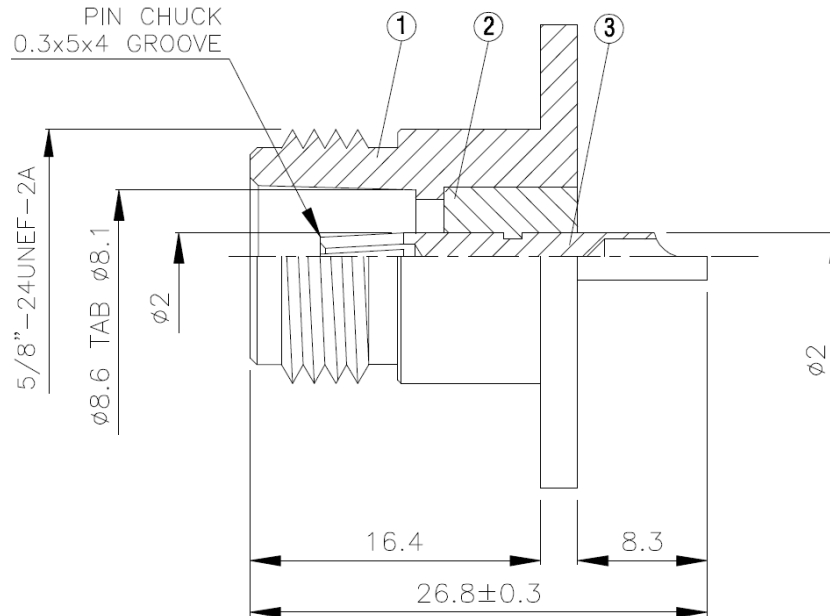
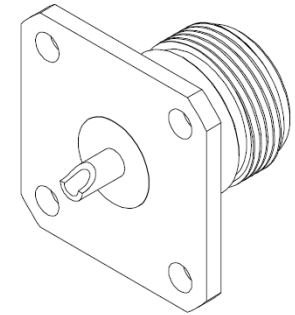


No	Description	Material	Finish
1	Body	Brass	Nickel
2	Insulation	Teflon	Teflon
3	Pin	Brass	Gold

Dimensions are in Millimetres  
Tolerances: 0.5-5 = ±0.2, 5-30 = ±0.4



This document is the property of **Atlantic Microwave Limited** and is disclosed to the holder for confidential use only. The holder promises and agrees that it shall not be reproduced or copied in any manner, be lent to or have the contents made known to others.

### General Description

**75 Ohm 4-Hole Flange Mount  
N Type Female Receptacle  
Frequency: DC-6GHz**



40A Springwood Drive,  
Braintree,  
Essex, CM7 2YN,  
England  
**www.AtlantecRF.com**  
Tel: +44 (0)1376 550220  
Fax: +44 (0)1376 552145

*AtlantecRF is a brand name of Atlantic Microwave Ltd.*

**Drawing Number:  
ENG14-004**

**Rev:**

Dw	Check	Date	Scale	Projection
	01/08/14		NTS	
Rev.	Description	Date	Approval	