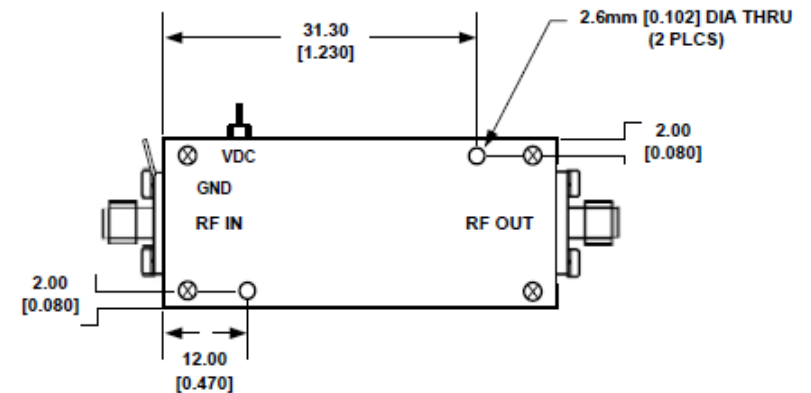
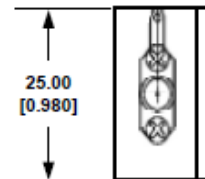
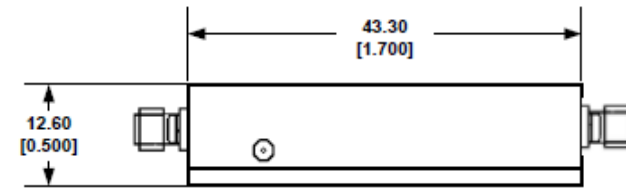


ELECTRICAL SPECIFICATIONS		
	Min	Max
Frequency Range	7.0GHz	8.0GHz
Gain	15.0dB	20.0dB
Noise Figure	0.9dB	
Pout (1 dBcp)		0dBm
Power Supply	+12 VDC to +15 VDC	
Current	90 mA	
Connectors	SMA Female	



All dimensions are in mm [inches]

This document is the property of **Atlantic Microwave Limited** and is disclosed to the holder for confidential use only. The holder promises and agrees that it shall not be reproduced or copied in any manner, be lent to or have the contents made known to others.

General Description

Low Noise Amplifier
Frequency Range: 7.0GHz – 8.0GHz



40A Springwood Drive,
 Braintree,
 Essex, CM7 2YN,
 England
www.AtlantecRF.com
 Tel: +44 (0)1376 550220
 Fax: +44 (0)1376 552145

AtlantecRF is a brand name of Atlantic Microwave Ltd.

Drawing Number:
ENG14-005

Rev:

Dw	Check	Date	Scale	Projection
	30/07/14		NTS	
Rev.	Description	Date	Approval	