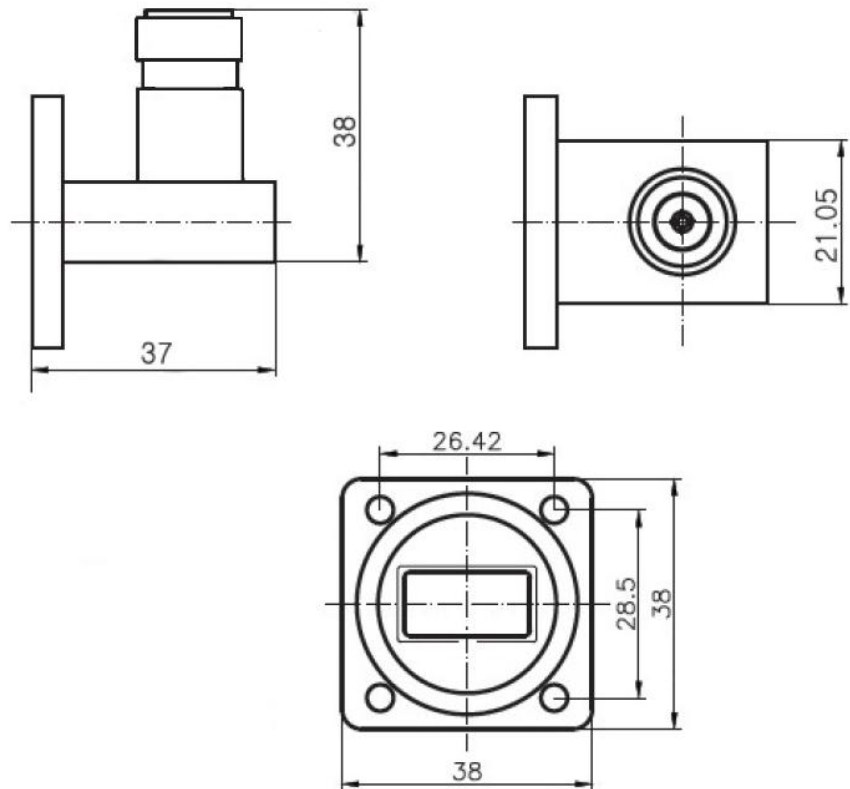


SPECIFICATIONS	
Frequency Range	10.0 - 15.10GHz
VSWR	1.25 max.
Insertion Loss	0.3dB max.
Waveguide	WR75
Flange	PBR 120
Connector	N Female
Material	Cu
Inside Finish	Nickel Plated
Outside Finish	Black Paint



Dimensions are in mm

This document is the property of **Atlantic Microwave Limited** and is disclosed to the holder for confidential use only. The holder promises and agrees that it shall not be reproduced or copied in any manner, be lent to or have the contents made known to others.

### General Description

**WR75 Waveguide to Coaxial Adapter**  
**Frequency Range: 10.0 – 15.0GHz**



**AtlanticTecRF**

40A Springwood Drive,  
 Braintree,  
 Essex, CM7 2YN,  
 England  
[www.AtlantecRF.com](http://www.AtlantecRF.com)  
 Tel: +44 (0)1376 550220  
 Fax: +44 (0)1376 552145

*AtlanticTecRF is a brand name of Atlantic Microwave Ltd.*

**Drawing Number:**

**ENG14-021**

**Rev:**

Dw	Check	Date	Scale	Projection
	31/07/14		NTS	
Rev.	Description	Date	Approval	