

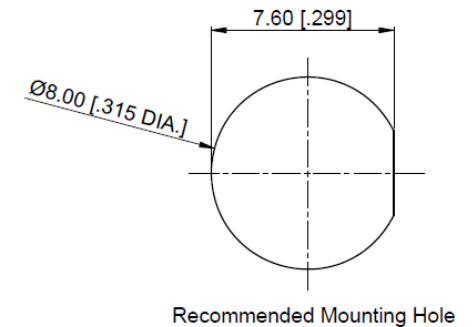
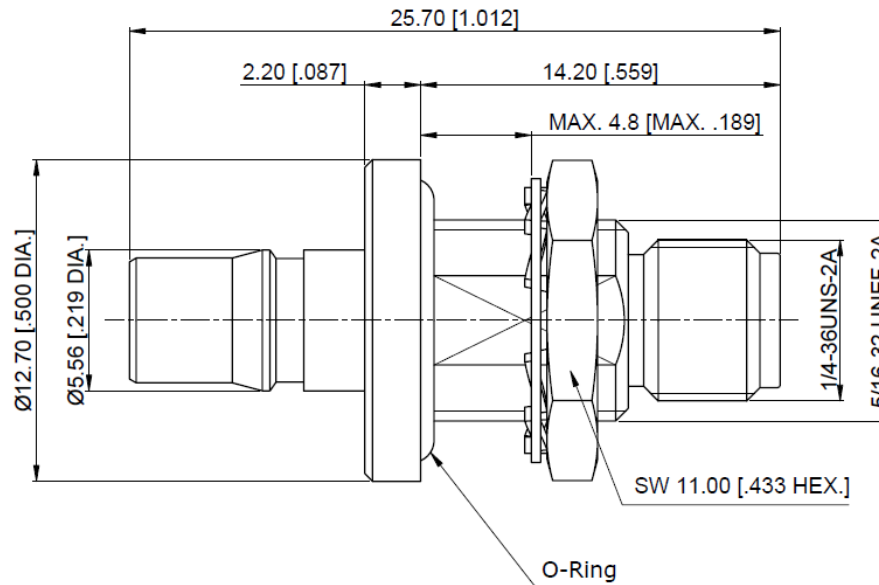
Specifications:

Electrical:

Frequency: DC-18GHz
 Return Loss: $\geq 33\text{dB}$ DC to 2.5GHz
 $\geq 25\text{dB}$ 2.5 to 6GHz
 $\geq 18\text{dB}$ 6 to 18GHz
 Impedance: 50 ohm
 Operating Temp: -40 to +85°C

Mechanical:

Centre Contact: Gold plated Beryllium Copper Alloy
 Washer: Phosphor Bronze with Albaloy Finish
 Body: Passivates Stainless Steel
 Fastening Nut: Brass with Albaloy Finish
 Insulator: PTFE
 O-Ring: MVQ (Silicone Rubber)

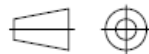


Unless otherwise specified dimensions are in millimeters, dimensions in [] are in inches for customer reference only.

Unless Otherwise Specified tolerance are:

- .XX ± 0.13 [.005"]
- .X ± 0.20 [.008"]
- X ± 0.50 [.019"]
- X° $\pm 1^\circ$
- X° $\pm 2^\circ$

View:



This document is the property of **Atlantic Microwave Limited** and is disclosed to the holder for confidential use only. The holder promises and agrees that it shall not be reproduced or copied in any manner, be lent to or have the contents made known to others.

General Description

QMA Female to SMA Bulkhead Female Adapter
 Frequency Range: DC-18.0GHz



40A Springwood Drive,
 Braintree,
 Essex, CM7 2YN,
 England
www.AtlantecRF.com
 Tel: +44 (0)1376 550220
 Fax: +44 (0)1376 552145

AtlantecRF is a brand name of Atlantic Microwave Ltd.

Drawing Number:
ENG14-055

Rev:

Dw	Check	Date	Scale	Projection
	01/08/14		NTS	
Rev.	Description	Date	Approval	