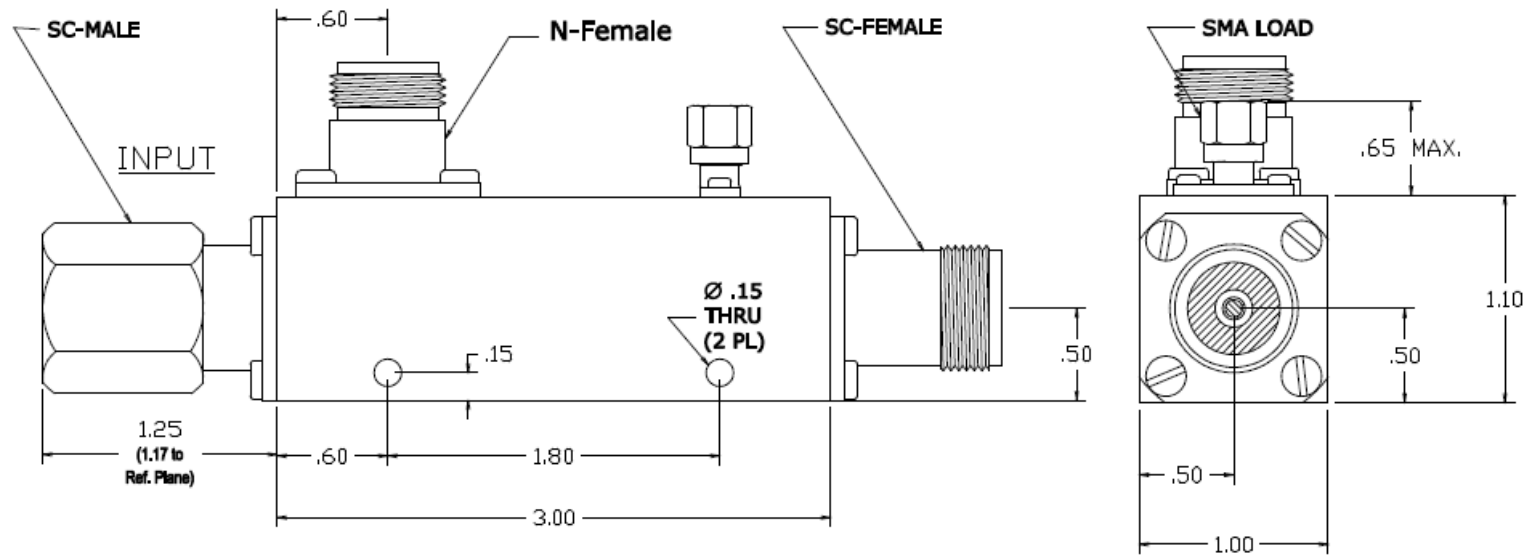


Specifications			
Frequency	2.0 to 8.0GHz	Directivity	15dB min.
Coupling	50 ±1.0dB	VSWR (Thru-line)	1.45:1 max
Frequency Sensitivity	±1.0dB	Power	1000 Watts Avg @ 25°C
Insertion Loss	0.4dB max.		1000 Watts Reverse @ 25°C
			10K Watts Peak



Dimensions are in inches
Tolerances: ±.02, ±2°; Surface Per MIL-STD-10

This document is the property of **Atlantic Microwave Limited** and is disclosed to the holder for confidential use only. The holder promises and agrees that it shall not be reproduced or copied in any manner, be lent to or have the contents made known to others.

General Description

High Power Directional Coupler
Connectors: Input – SC Male
Output – SC Female
Coupled Port – N Female



40A Springwood Drive,
 Braintree,
 Essex, CM7 2YN,
 England
www.AtlantecRF.com
 Tel: +44 (0)1376 550220
 Fax: +44 (0)1376 552145

AtlantecRF is a brand name of Atlantic Microwave Ltd.

Drawing Number:
ENG14-062

Rev:

Dw	Check	Date	Scale	Projection
	01/08/14		NTS	
Rev.	Description	Date	Approval	